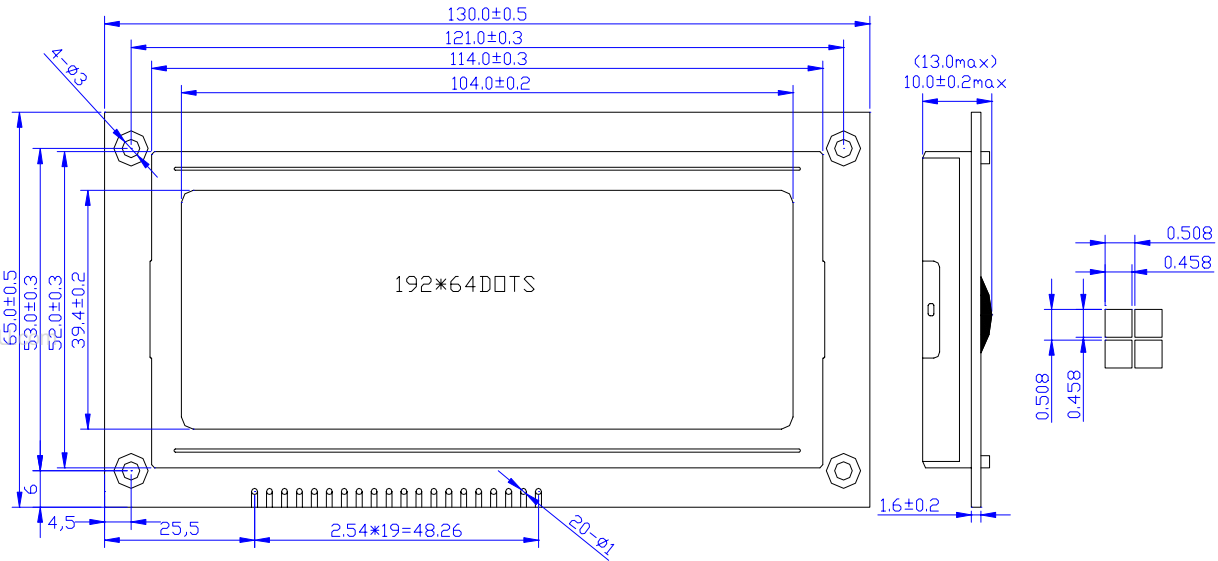


RT19264ASR(L)(F)B

*192X64Dot *1/64D * YELLOW mode STN Transflective *+5V single power supply *

EXTERNAL DIMENSIONS AND DISPLAY PATTERN



PIN CONNECTION

Pin No.	Symbol	Level	Function
1	Vss	0V	0V
2	Vcc	5.0V	+5V
3	Vo	--	Operating Voltage for Lcd (variable)
4	RS	H/L	L: Instruction code input H: Data input
5	R/W	H/L	H: Data read L: Data write
6	E	H,H→L	Enable signal
7	D0	H/L	Data bus line *
8	D1	H/L	
9	D2	H/L	
10	D3	H/L	
11	D4	H/L	
12	D5	H/L	
13	D6	H/L	
14	D7	H/L	
15	CS1	L	Chip select signal
16	RESET	L	RESET signal
17	CS2	L	Chip select signal
18	CS3	L	Chip select signal
19	V0	-6V	Negative Voltage for LCD driving
20	LED+	+5.0V	The LED supply*
21	LED-		

MECHANICAL DATA (Nominal dimensions)		
module size-----	130.0WX65.0HX11.0(13.0)D mm	
Effective display area-----	104.0WX39.0H mm	
Dot size-----	0.458Wx0.458H mm	
Dots pitch-----	0.508Wx0.508H mm	
Weight-----	about 80 g	
ABSOLUTE MAXIMUM RATINGS min max		
Power supply voltage(Vdd-Vss)-----	0	6.7V
Power supply for LCD-dirve(Vdd-Vo) ----		13.0V
Input voltage(Vi) -----	Vss	Vdd
Operating temperature(Ta) -----	0	60
Storage temperature(Tstg) -----	-10	70
ELECTRICAL CHARACTERISTICS		
Ta=25 , Vdd=5.0V+0.25V		
Input 'high' voltage(ViH) -----		3.5Vmin
Input 'low' voltage(ViL) -----		0.3Vdd
Power supply current(Idd)(Vdd=5.0V)----		2.51mAmax
Drive method -----		1/64Duty
BLOCK DIAGRAM		

